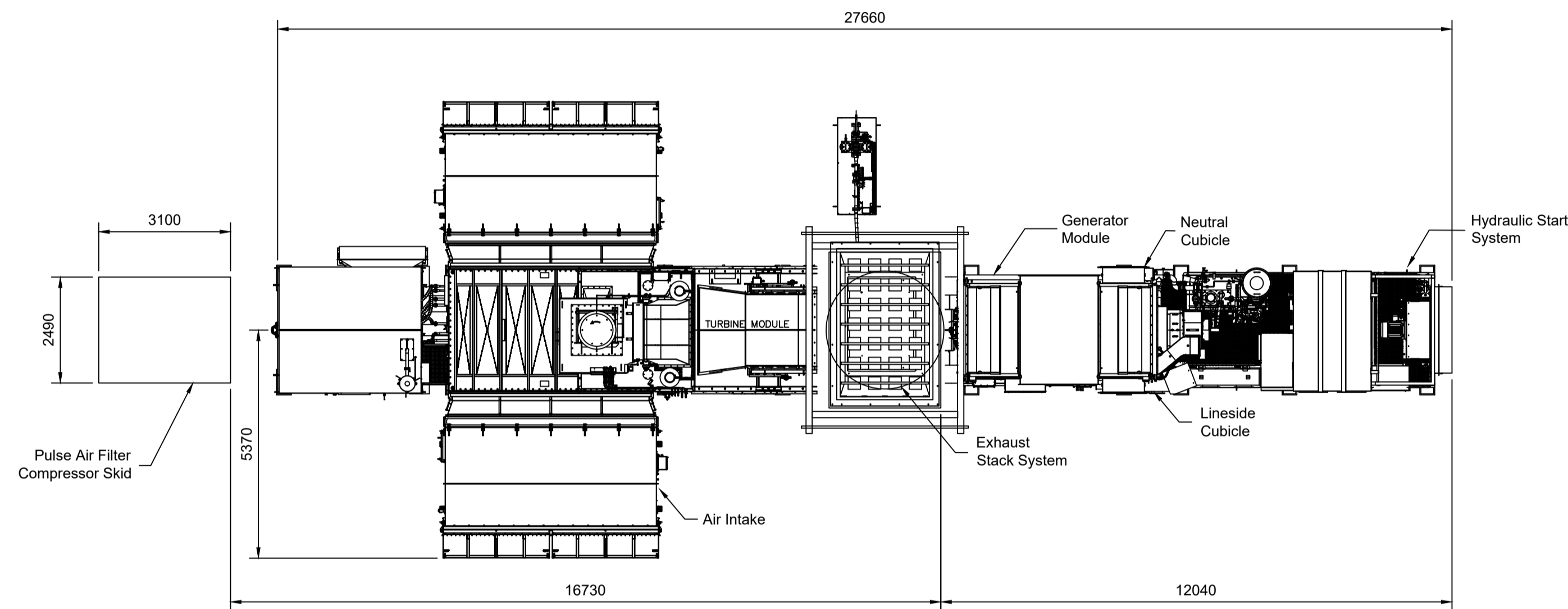


North



Plan View

Notes

1. For planning purposes only.
2. All dimensions are in millimetres unless otherwise noted.

Key to symbols

Reference drawings

- 229101053-MMD-00-XX-DR-C-0011 Proposed Site Layout
 229101053-MMD-00-XX-DR-C-0051 Emergency Power Generation Plant - Elevations

PL2	20/06/2022	SHY	Issued for Planning	ESB	DH
PL1	27/05/2022	SHY	Issued for Planning	ESB	DH
Rev	Date	Drawn	Description	Ch'k'd	App'd

M
MOTT
MACDONALD

South Block
 Rockfield
 Dundrum
 Dublin 16
 Ireland
 T +353 (0)1 291 6700
 F
 W www.mottmac.com

Client
Electricity Supply Board

Title
North Wall Emergency Generation Plant

Proposed Plan Layout & Section

Designed	ESB	Eng check	ESB
Drawn	S. Healy	Coordination	D. Hassett
Dwg check	L. Gough	Approved	D. Hassett

Scale at A1	Status	Rev	Security
1:100	APR	PL2	STD

Drawing Number
229101053-MMD-00-XX-DR-C-0050

